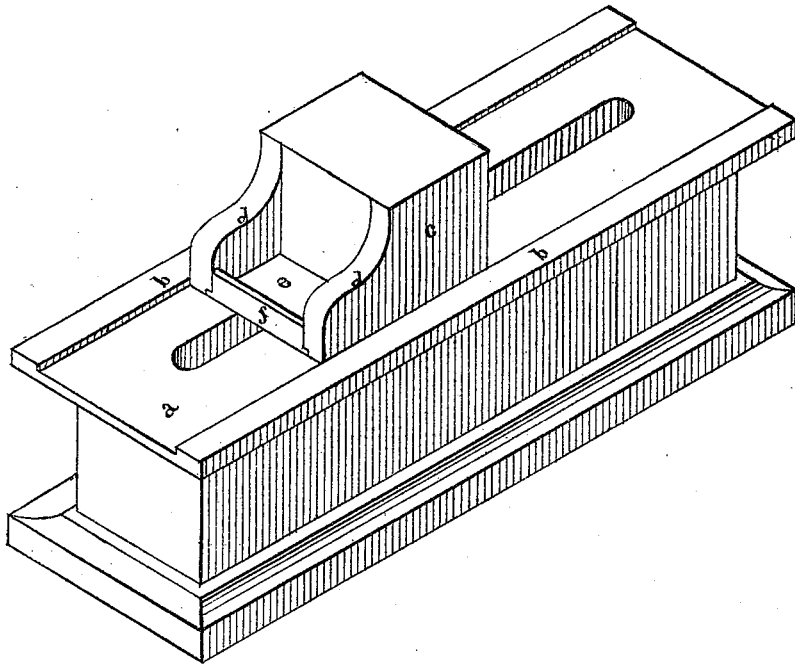


C. F. PUTNAM.

Lathes for Turning Metal.

No. 133,483.

Patented Nov. 26, 1872.



Witnesses,

*W. W. Frothingham.*  
*P. B. Kidder*

Inventor,

*Charles F. Putnam, Adm<sup>r</sup>*  
*By his Attys.*  
*Crosby & Gould*

# UNITED STATES PATENT OFFICE.

CHARLES F. PUTNAM, OF FITCHBURG, MASSACHUSETTS, ADMINISTRATOR  
OF ESTATE OF SALMON W. PUTNAM, DECEASED.

## IMPROVEMENT IN LATHES FOR TURNING METAL.

Specification forming part of Letters Patent No. **133,483**, dated November 26, 1872.

*To all whom it may concern:*

Be it known that SALMON W. PUTNAM, of Fitchburg, in the county of Worcester and State of Massachusetts, has invented an Improvement in Lathes; and I do hereby declare that the following, taken in connection with the drawing which accompanies and forms part of this specification, is a description of the invention sufficient to enable those skilled in the art to practice it.

The invention relates to the construction of the beds of metal lathes, or machines in which there is a long bed upon which a sliding tail-stock is supported and moves.

In this invention the rear side of the sliding tail-stock is made with a shelf for receiving and carrying tools; and the invention consists in making this tail-stock with a tool-holding shelf.

The drawing represents a lathe-bed and tail-stock embodying the invention.

A shows a plan of the bed and tail-stock; B, an elevation showing the tail-stock in sec-

tion. *a* denotes the bed; *b b*, the ways upon which the tail-stock *c* slides. The tail-stock is made with two rear extensions or uprights, *d*, and between these uprights is the shelf *e*, said shelf extending across and filling the space between the uprights at the bottom of the stock, and having a guard-piece, *f*, at its end; the shelf, guard-piece, uprights, and stock constituting a box or receptacle for receiving various tools desirable to have about the lathe and to accompany the tail-stock in its movements. This provision for holding tools adds comparatively nothing to the expense of construction, and the shelf is a very convenient appendage to a lathe.

I claim—

The tail-stock *c* made with the tool-holding shelf *e*, substantially as shown and described.

CHARLES F. PUTNAM,

*Administrator of the Estate of S. W. PUTNAM.*

Witnesses:

S. W. PUTNAM, Jr.,

HENRY O. PUTNAM.